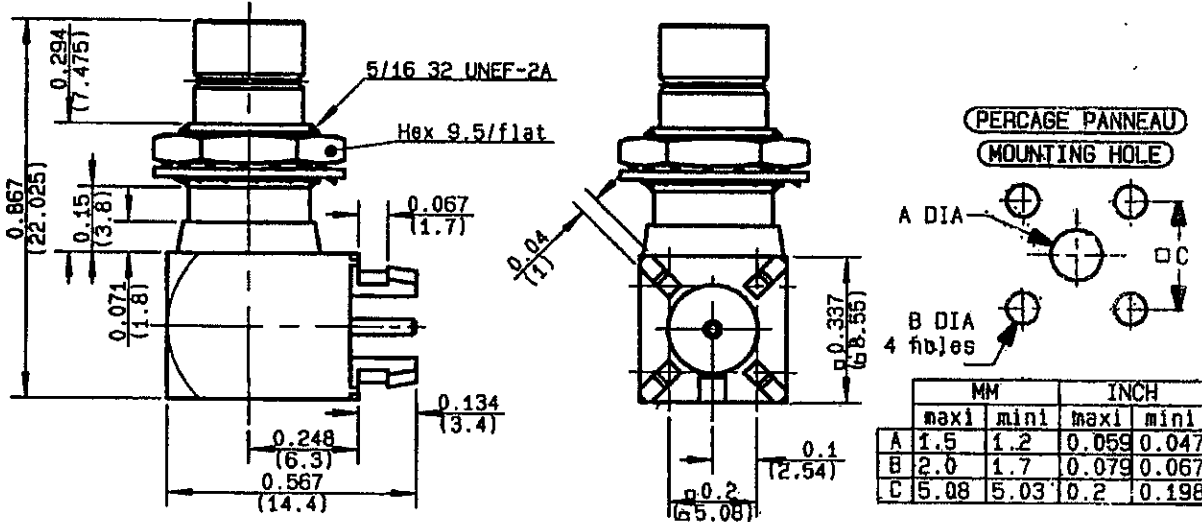


**RIGHT ANGLE PCB RECEPTACLE
WITH HARPOON LEGS PACK 160**

R214.670.300

SERIES

T43



NOMINAL IMPEDANCE	75	Ω
FREQUENCY RANGE	0-3	GHz
TEMPERATURE RATING	-40/+100	°C
V.S.W.R	NA +	x F(GHz)Maxi
RF INSERTION LOSS	NA	√F(GHz) dB Maxi
VOLTAGE RATING	500	Veff Maxi
DIELECTRIC WITHSTANDING VOLTAGE	1500	Veff Mini
INSULATION RESISTANCE	500	MΩMini
HERMETIC SEAL	NA	Atm.cm ³ /s
LEAKAGE (pressurized only)	NA	
MECHANICAL DURABILITY	250	Cycles
WEIGHT	7.15	gr

CABLES

OTHERS CHARACTERISTICS

CABLE RETENTION		N Mini
CENTER CONTACT RETENTION		
Axial force - mating end	22	N Mini
Axial force - opposite end	NA	N Mini
Torque	NA	cm.N Mini
RECOMMENDED TORQUES		
Mating	NA	cm.N
Panel nut	170	cm.N
Clamp nut	NA	cm.N

CONNECTOR PARTS	MATERIALS
BODY	BRASS
OUTER CONTACT	
CENTER CONTACT	BRASS
INSULATOR	PTFE
GASKET	
OTHERS PIECES	BRASS

FINISH

(all values in microns)

GOLD 1.5 OVER NICKEL 2
GOLD 1.5 OVER COPPER 1.5
-
-
NICKEL 2

GER. U

ISSUE
9723B00

CREATION DATE
28-APR-97

FILE PART-NUMBER
96-0106-160



RADIALL

The information given here is subject to change without notice.
Design changes may be in order to improve the product.

Connect to the future